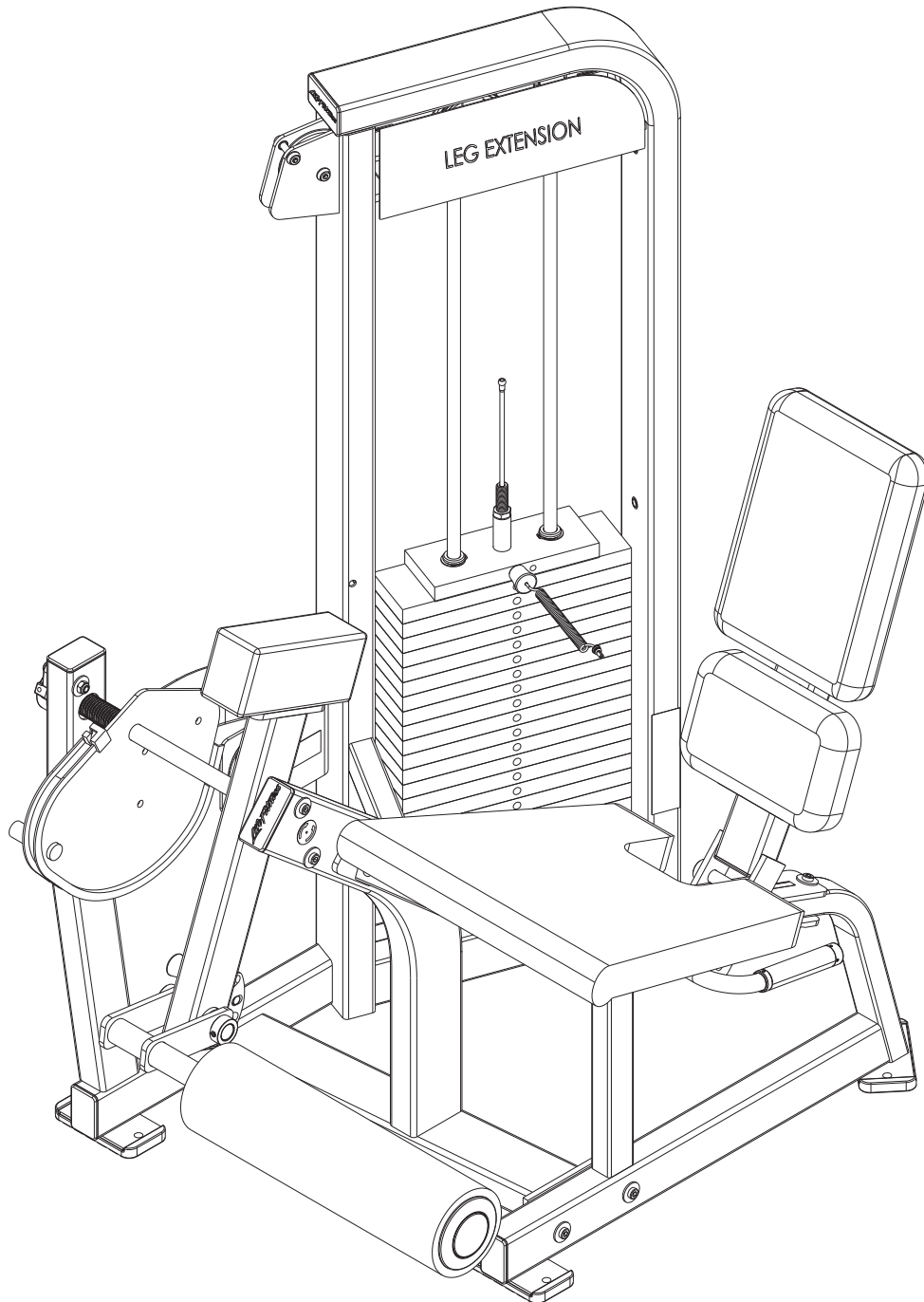




PRO 2 SERIES
PSLE LEG EXTENSION

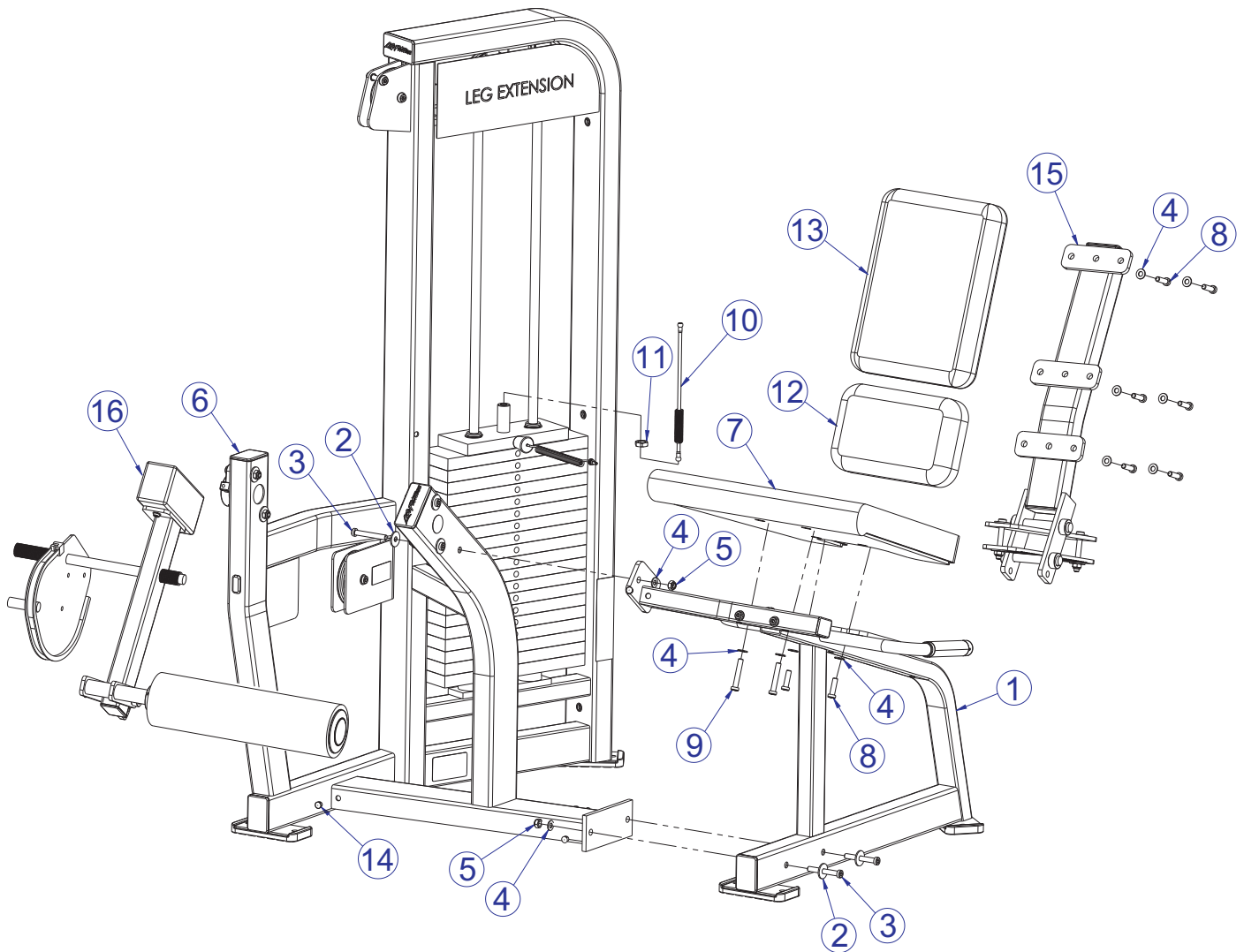


Customer Support Services
PARTS MANUAL

PSLE LEG EXTENSION CONTENTS

	Page
COMPONENT ASSEMBLY	3
COMPONENT ASSEMBLY LEGEND	4
SIDE FRAME ASSEMBLY	5
SIDE FRAME ASSEMBLY LEGEND	6
SEAT FRAME ASSEMBLY	7
SEAT FRAME ASSEMBLY LEGEND	8
PS-ST5 SEAT ASSEMBLY	9
PS-ST5 SEAT ASSEMBLY LEGEND	10
WORK ARM ASSEMBLY	11
WORK ARM ASSEMBLY LEGEND	12
ADD-ON INCREMENT WEIGHT ASSEMBLY	13
WEIGHT STACK (300LB)	14
OPTIONAL REAR SHROUD KIT	15

PSLE LEG EXTENSION COMPONENT ASSEMBLY

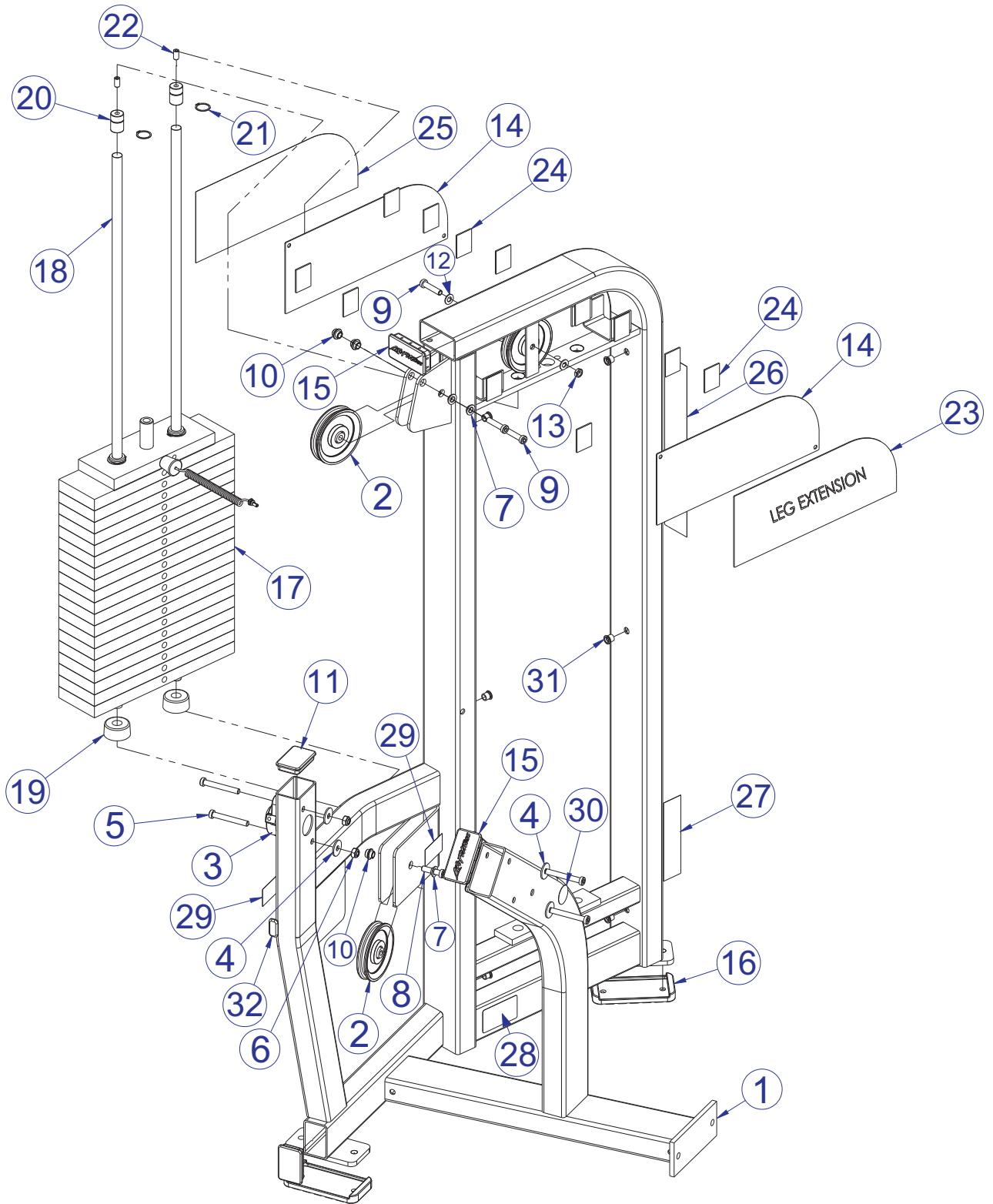


SEE PAGE 4 FOR LEGEND

PSLE LEG EXTENSION COMPONENT ASSEMBLY LEGEND

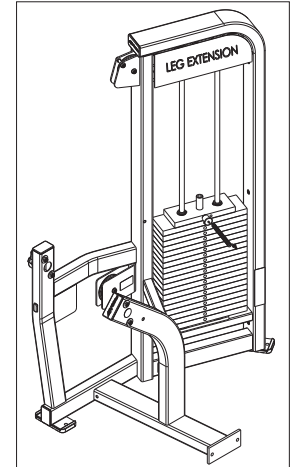
ITEM NO.	QTY.	PART NO.	DESCRIPTION
1	1	7373101	ASSY, PSLE, SEAT-FRAME
2	3	3236602	WASHER, 3/8 ID X 1.25 OD SS
3	3	3236212	SCREW, M10 X1.5 75MM
4	13	3236601	WASHER, 3/8 SAE SS
5	3	3236801	NUT, M10 HEX NYLOCK SS
6	1	7371601	SIDE-FRAME ASSY
7	1	73992xx	PAD, SEAT 21 X 20-1/16
8	8	3236204	SCREW, M10 X1.5 35MM
9	2	3236209	SCREW, M10 X1.5 60MM
10	1	7423702	CABLE, PSLE
11	1	3236902	NUT, M16 X 2 HEX JAM SS
12	1	73993xx	PAD. 7 X 11-1/4
13	1	74221xx	PAD, BACK 15 X 11-1/4
14	8	3237401	PLUG, 7/16" HOLE
15	1	7384101	ASSY, PS-ST5 SEAT
16	1	PSLE-BMA-ASSY	ASSY, MOVEMENT ARM

PSLE LEG EXTENSION SIDE FRAME ASSEMBLY - 7371601



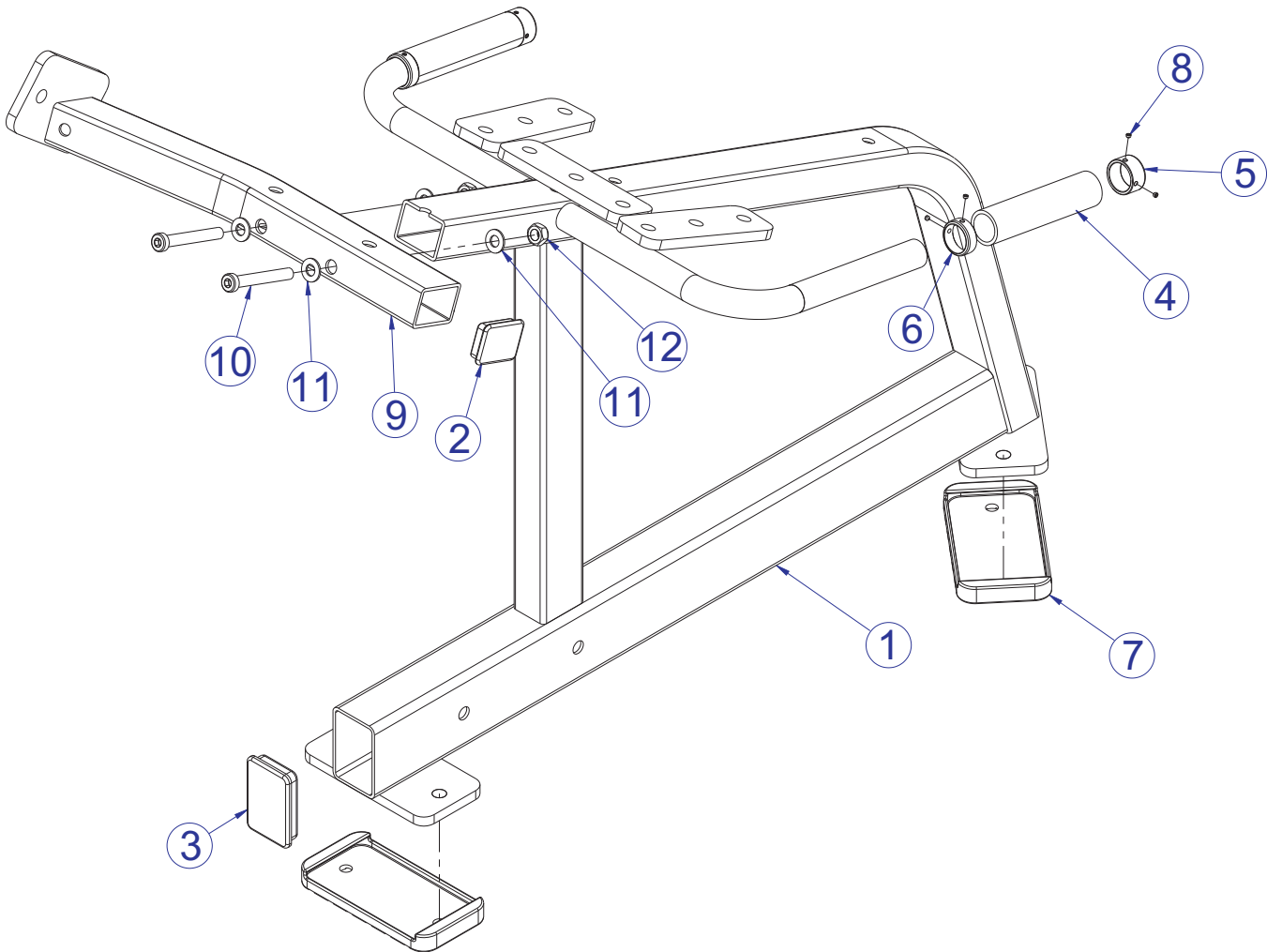
SEE PAGE 6 FOR LEGEND

PSLE LEG EXTENSION SIDE FRAME ASSEMBLY LEGEND



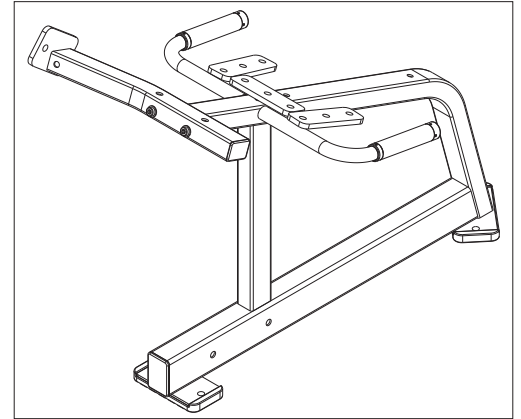
ITEM NO.	QTY.	PART NO.	DESCRIPTION
1	1	7371701	WELDMNT, PSLE SIDE-FRAME
2	3	3237801	PULLEY, 4.5" OD
3	2	3237701	ASSY, PILLOW BLOCK 4.88 X 2.75
4	4	3236602	WASHER, 3/8 ID X 1.25 OD SS
5	4	3236212	SCREW, M10 X1.5 75MM
6	4	3236801	NUT, M10 HEX NYLOCK SS
7	3	7348101	WASHER, SPACER
8	1	3236205	SCREW, M10 X1.5 40MM
9	3	3236206	SCREW, M10 X1.5 45MM
10	3	7335401	NUT, M10 X 1.5 SOCKET HEAD
11	2	7352301	CAP, END 2 X 3
12	2	3236601	WASHER, 3/8 SAE SS
13	1	3236901	NUT, M10 X 1.5 JAM
14	2	7606602	COVER, STACK-PRO2 STD
15	2	7352401	CAP, END 2 X 4
16	2	7388201	FOOTPAD, PS RUBBER
17	1	7353501	ASSY, 300LB STACK
18	2	7328601	GUIDE ROD, .75 OD SOLID 48.38
19	2	7352101	CUSHION, WEIGHT STACK
20	2	7402301	RETAINER, GUIDEROD
21	2	3232421	RING, BRE .940, 5100-100 ST PP B
22	2	3240501	M10 X 1.5 HXS NO CUP ST BO
23	1	7443401	LABEL, PSLE PLACARD
24	12	7544202	PAD, DUAL LOCK 250 1.5" X 2.0"
25	1	7491401	LABEL, PSLE LOGO PANEL
26	1	7348001	LABEL, LIFE FITNESS LOGO
27	1	7422004	LABEL, 2" ASTM WARN
28	1	7571301	LABEL, SERIAL NUMBER
29	2	7422003	LABEL, MOVING PARTS
30	1	7488701	LABEL, AXIS OF ROTATION
31	6	3238101	NUT, BLIND INSERT M10 X 1.5
32	1	7570801	GUARD, PAINT 1.25"x.75"x.25"

PSLE LEG EXTENSION SEAT FRAME ASSEMBLY - 7373101



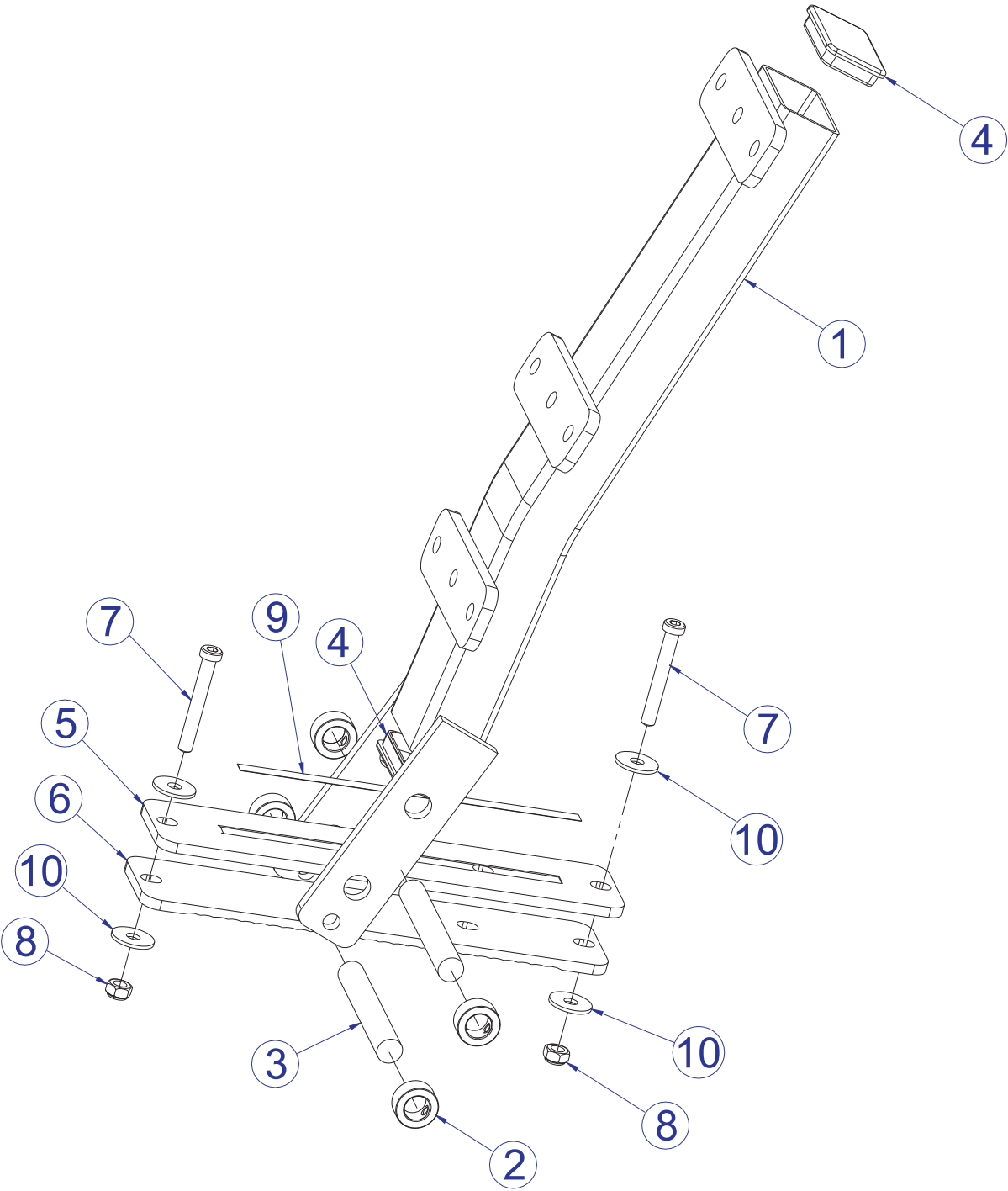
SEE PAGE 8 FOR LEGEND

PSLE LEG EXTENSION SEAT FRAME ASSEMBLY LEGEND



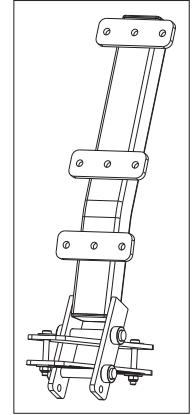
ITEM NO.	QTY.	PART NO.	DESCRIPTION
1	1	7655801	WLDMT, PSLE SEAT FRAME
2	1	7352201	CAP, END 1-1/2 X 2
3	1	7352301	CAP, END 2 X 3
4	2	3235801	GRIP, TBC
5	2	7662901	CAP, GRIP 1.25 OD
6	2	7662801	RING, GRIP 1.25 OD
7	2	7388201	FOOTPAD, PS RUBBER
8	8	3247701	M4 X .7 HXS NO CUP ST BO
9	1	7626701	WLDMT, PSLE SEAT BRACE
10	2	3236212	SCREW, M10 X1.5 75MM
11	4	3236601	WASHER, 3/8 SAE SS
12	2	3236801	NUT, M10 HEX NYLOCK SS

PSLE LEG EXTENSION
PS-ST5 SEAT ASSEMBLY - 7384101



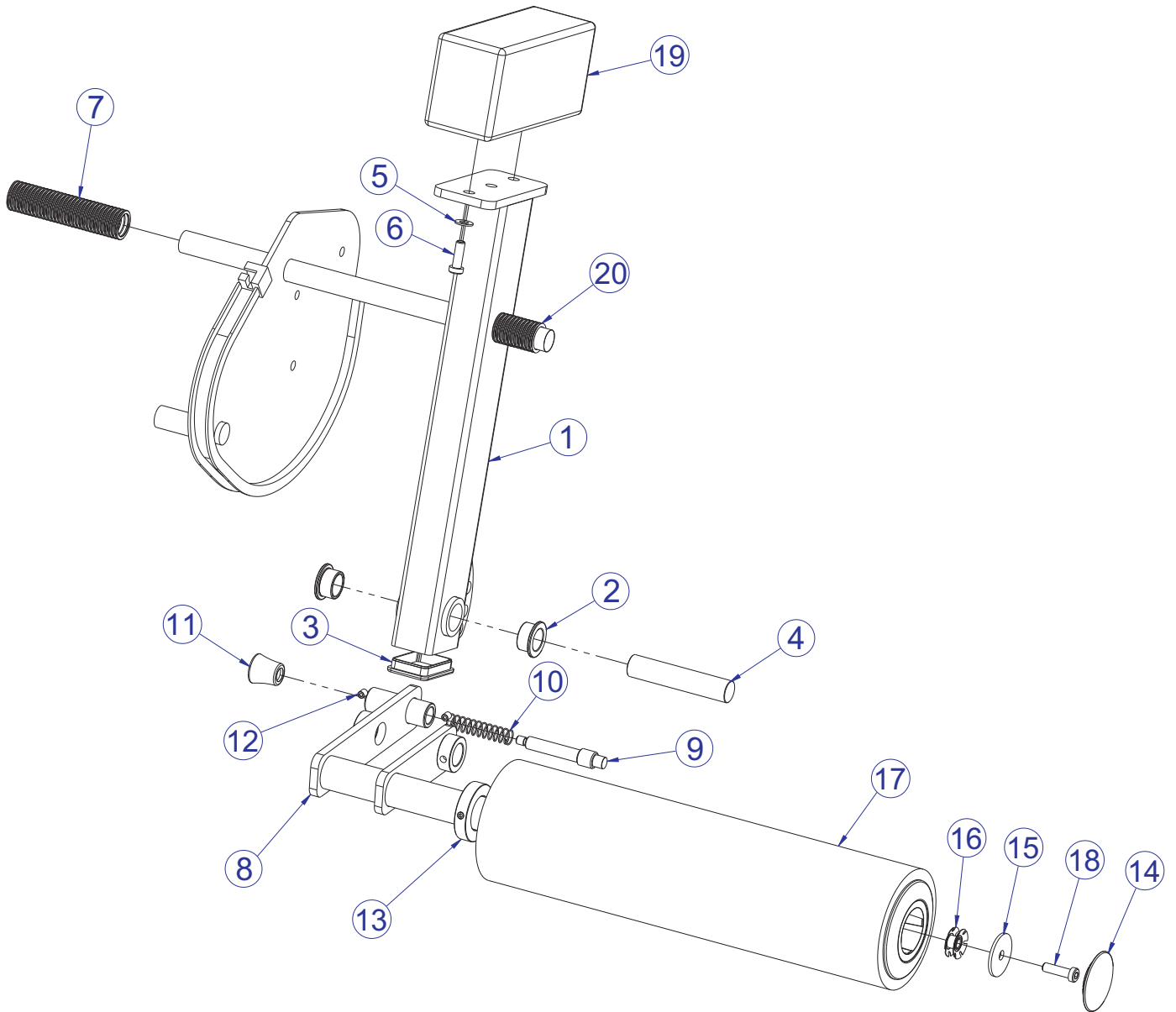
SEE PAGE 10 FOR LEGEND

PSLE LEG EXTENSION PS-ST5 SEAT ASSEMBLY LEGEND



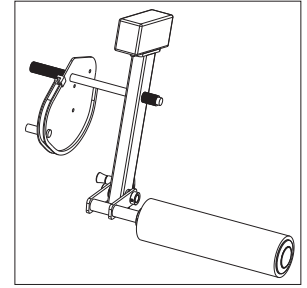
ITEM NO.	QTY.	PART NO.	DESCRIPTION
1	1	7384201	WELDMENT, PS-ST5
2	4	3103301	SHAFT COLLAR, 3/4 I.D. ZINC
3	2	7359301	.75" SS ROUND SEAT PIN
4	2	7352301	CAP, END 2 X 3
5	1	7359701	SEATRACK FRONT
6	1	7359801	SEATRACK BACK
7	2	3236212	SCREW, M10 X1.5 75MM
8	2	3236801	NUT, M10 HEX NYLOCK SS
9	1	7422002	LABEL, SEAT ADJUST
10	4	3236602	WASHER, 3/8 ID X 1.25 OD SS

PSLE LEG EXTENSION WORK ARM ASSEMBLY



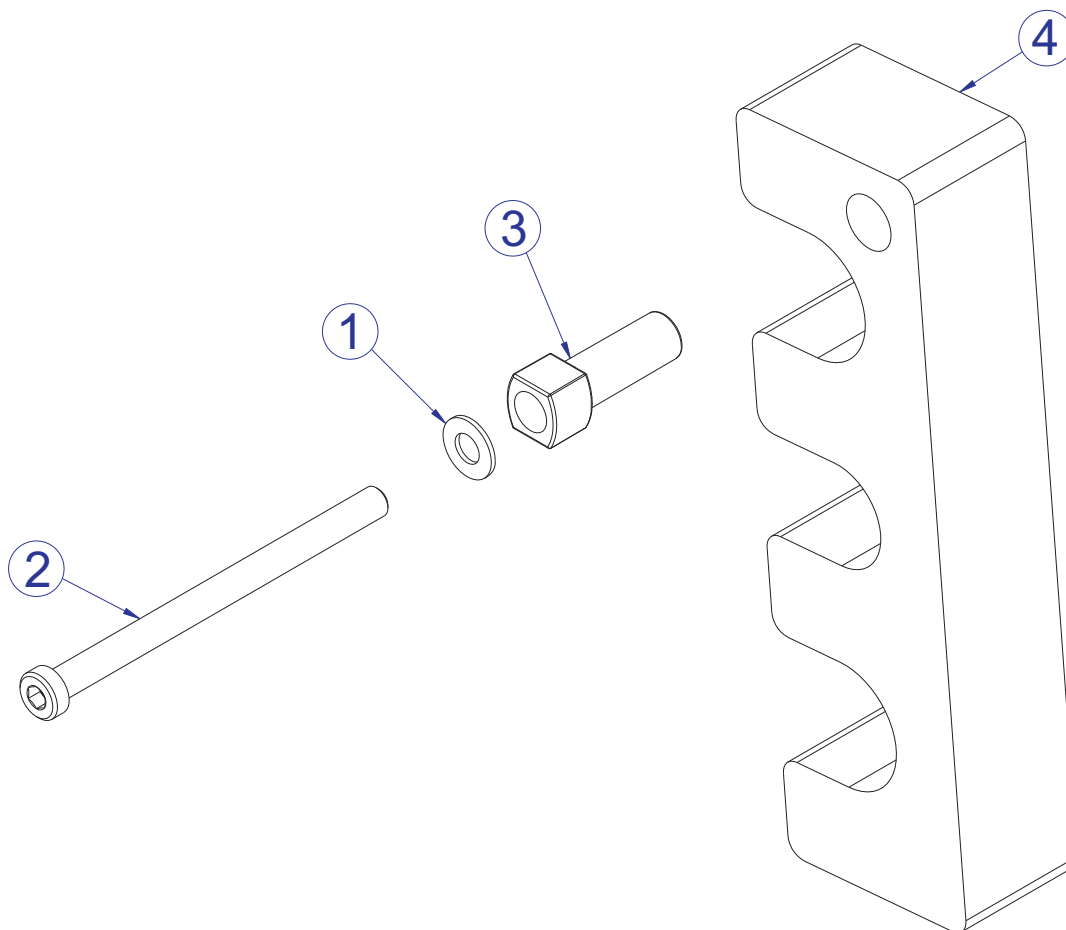
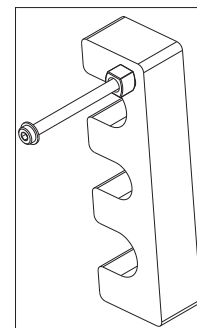
SEE PAGE 12 FOR LEGEND

PSLE LEG EXTENSION WORK ARM ASSEMBLY LEGEND



ITEM NO.	QTY.	PART NO.	DESCRIPTION
1	1	7373901	WLDMT, PSLE WORKARM - BASE
2	2	3104903	1.00" ID 1.25" OD BRONZ BUSHING
3	1	7352301	CAP, END 2 X 3
4	1	7358201	SHAFT, 1 DIA X 4.88
5	2	3236601	WASHER, 3/8 SAE SS
6	2	3236203	SCREW, M10 X1.5 30MM
7	1	6912805	SLEEVE, ACCRDN 1.0 ID X 5.5
8	1	7374695	WELDMENT, PSLE&LC-BASE KICKER
9	1	7351301	PIN, PULL
10	1	7351501	SPRING; PULL PIN LARGE
11	1	7351401	KNOB, TULIP STYLE
12	2	3242902	SCREW, SET BO
13	1	7357901	SHAFT COLLAR, 1-1/2" ID ALUM
14	1	7308701	CAP, BEARING HOUSING
15	1	7322301	PLATE, 1.97 OD X .44 ID 10GA
16	1	7347301	NUT, SPIDER M10 X 1.5
17	1	7392801	ASSY, ROLLER PAD - LONG
18	1	3236204	SCREW, M10 X1.5 35MM
19	1	7802501	WEIGHT, COUNTER LG
20	1	6912804	SLEEVE, ACCRDN 1.0 ID X 2

PSLE LEG EXTENSION ADD-ON INCREMENT WEIGHT ASSEMBLY - 7415001

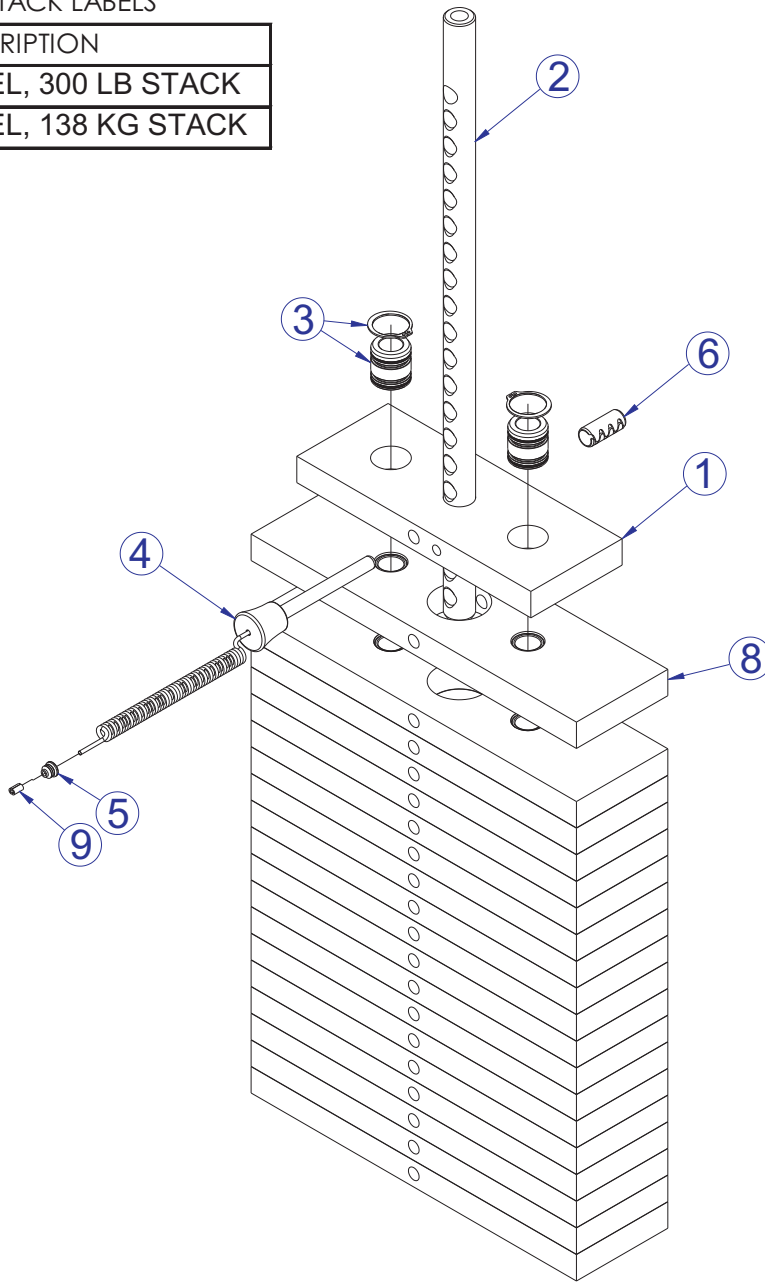
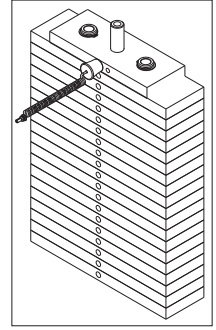


ITEM NO.	QTY.	PART NO.	DESCRIPTION
1	1	3236601	WASHER, 3/8 SAE SS
2	1	3236221	SCREW, M10 X1.5 140MM
3	1	7401701	COVER, PLASTIC PEG 2-1/4
4	1	7366101	WEIGHT, 7.5 LB. ADD-ON

PSLE LEG EXTENSION WEIGHT STACK ASSY 300LB - 7353501

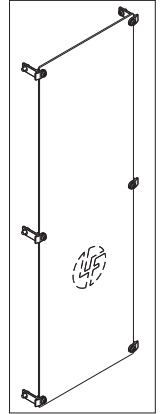
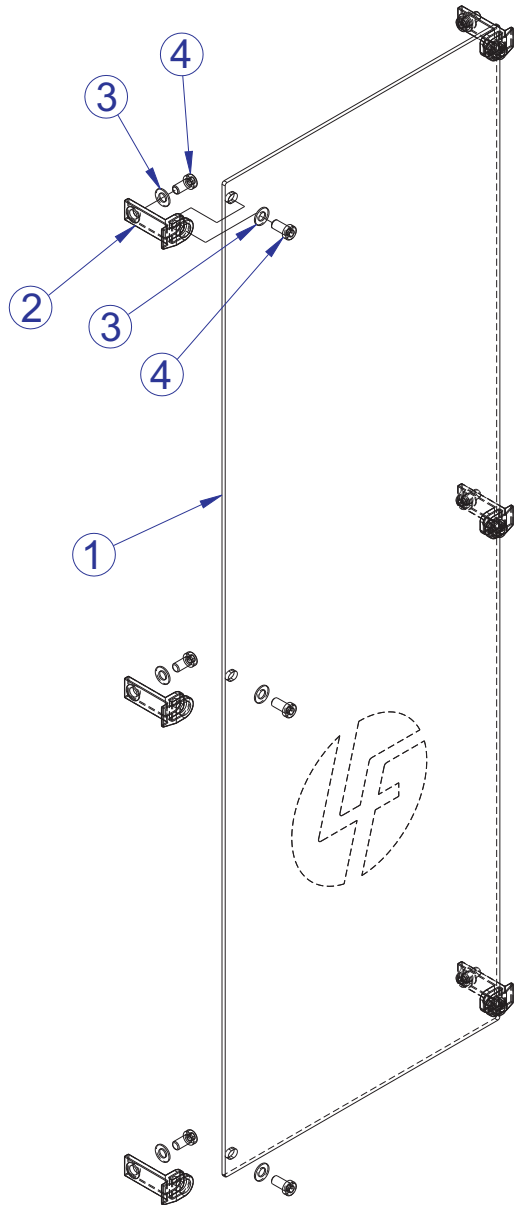
WEIGHT STACK LABELS

PART NO.	DESCRIPTION
7987201	LABEL, 300 LB STACK
7987401	LABEL, 138 KG STACK



ITEM NO.	QTY.	PART NO.	DESCRIPTION
1	1	7353901	HEADPLATE, WT. STACK
2	1	7356600	STEM, PRO2 19 HOLE
3	2	7338001	BUSHING, HEADPLATE
4	1	7353001	ASSY, SELECTOR PIN
5	1	7356501	PLUG, LANYARD ATTACHMENT
6	1	3236001	BUSHING, SPRING PIN
8	19	7353801	ASSY, 15 LB PLATE
9	1	7523601	CRIMP, CABLE

PSLE LEG EXTENSION OPTIONAL SHROUD KIT STD-MED - 7415202



ITEM NO.	QTY.	PART NO.	DESCRIPTION
1	1	8352402	SHROUD, PS REAR 51.0 X 16.43
2	6	7655301	BRACKET, PS REAR SHIELD
3	12	3236601	WASHER, 3/8 SAE SS
4	12	3236201	SCREW, M10 X1.5 20MM